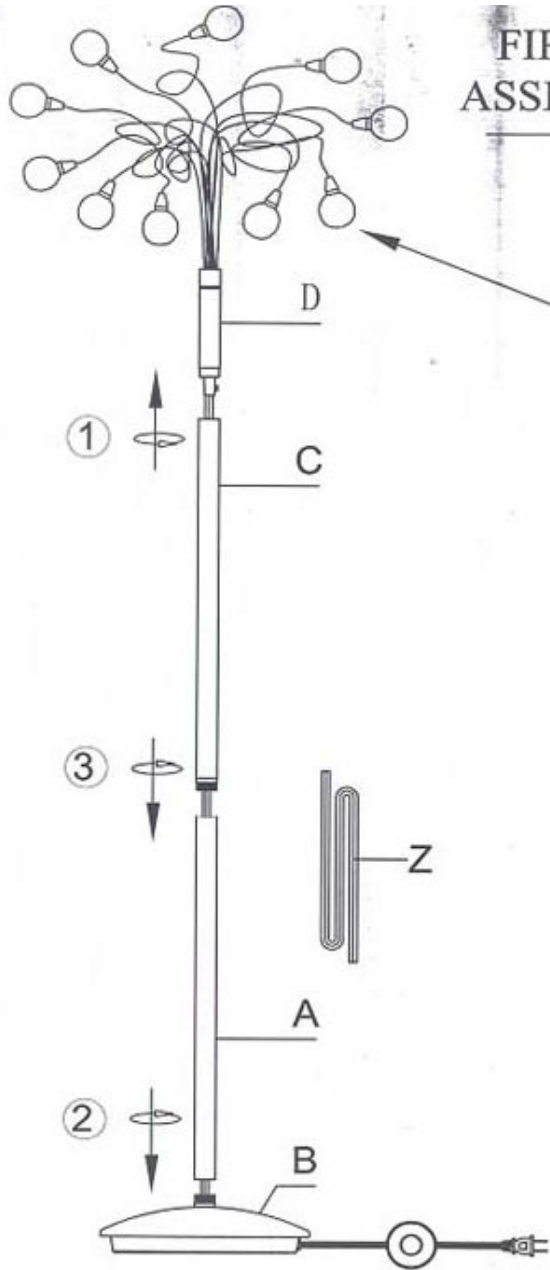
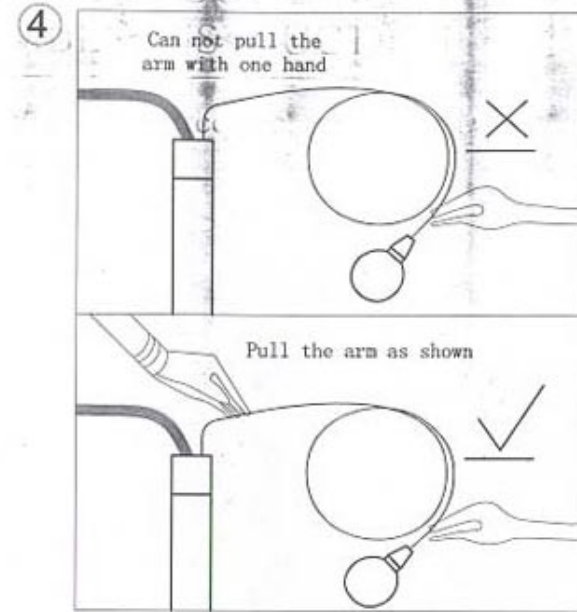
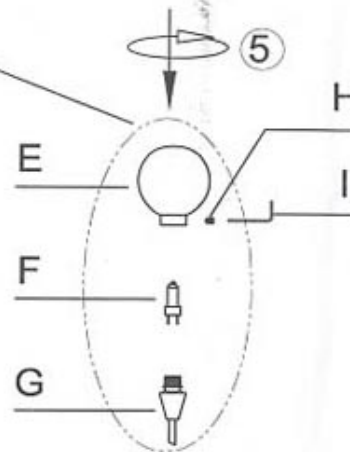


Part # LSH-FIREFLY FL

June 2007

FIREFLY FLOOR LAMP
ASSEMBLY INSTRUCTION

Lumisource, Inc.



1. Screw together tube (C) and tube (D), making sure to pull the wires attached to tube (D) all the way through tube (C).
2. Screw tube (A) into base (B), making sure to pull the wires attached to base (B) all the way through the top of tube (A). CAUTION: pole wires can not be pulled into base (B). Do not pull power cord extending from base (B)!
3. Bring tube (C) and tube (A) very close together. Pull off excess wire and fold it as in drawing (Z), then insert wire into tube (A). Screw tube (C) into tube (A).
4. Adjust each arm of the lamp to the desired position.
5. Carefully insert light bulb (F) into socket (G). Place glass sconce (E) over light bulb, then, screw tightly onto socket (G). Use hex wrench (I) to tighten hex screw (H).

Bulb requirement: 12V 10Watt maximum • This lamp is not a toy. Please keep out of reach of children.

Note:
ALL HALOGEN LAMPS MUST BE FULLY ASSEMBLED FOR LAMP BULBS TO POWER ON.
If the lamp's power is turned on before the lamp is fully assembled, the bulbs will not light.